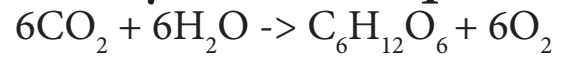
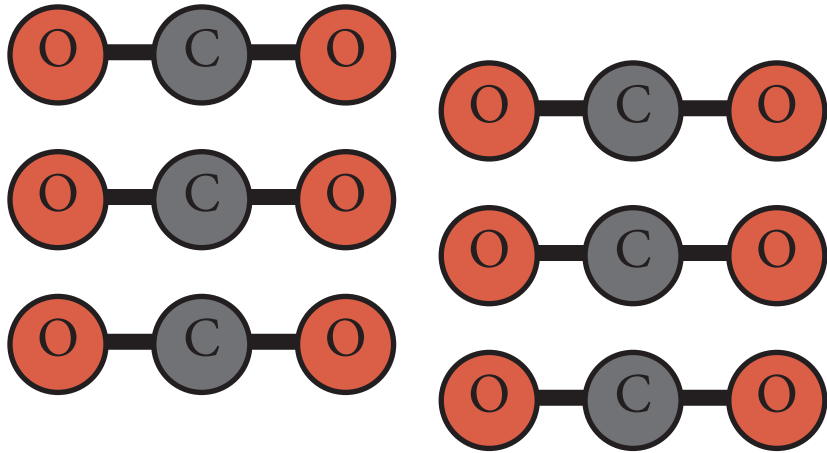


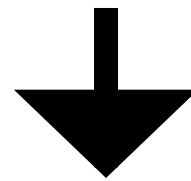
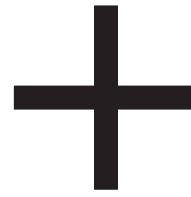
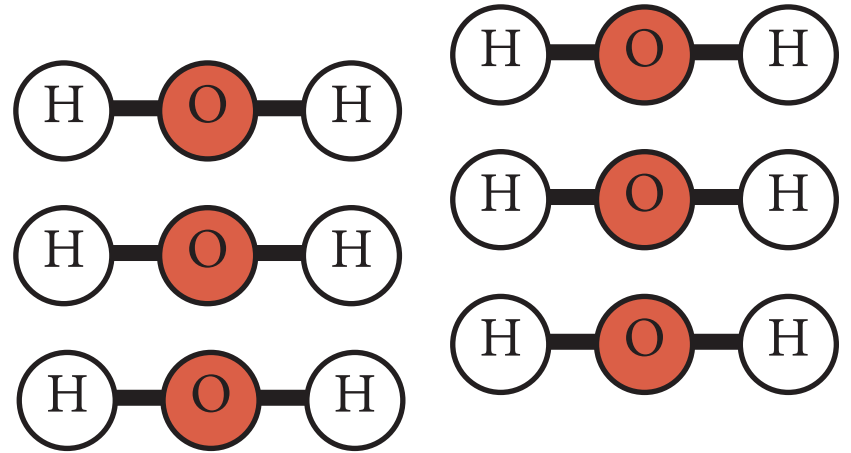
Photosynthesis equation



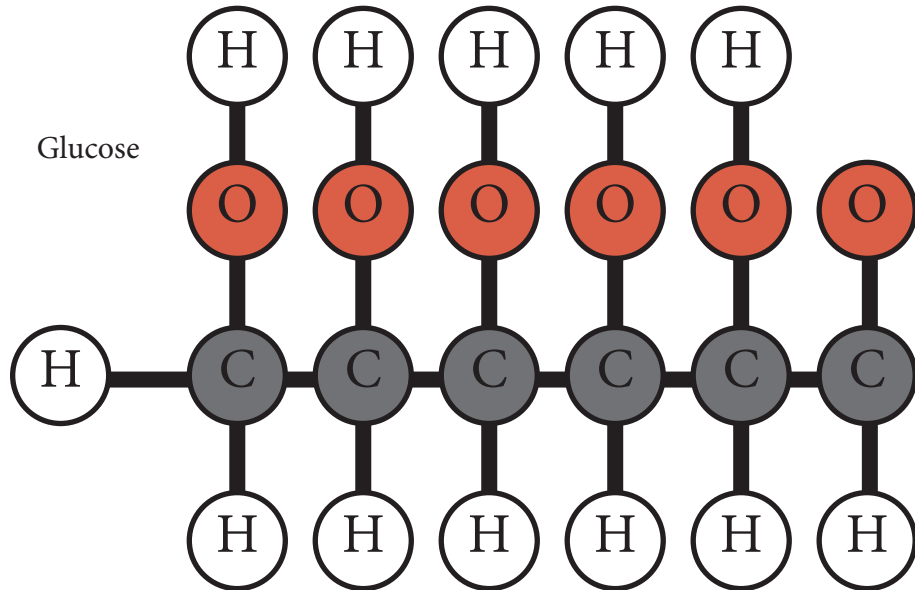
Carbon Dioxide



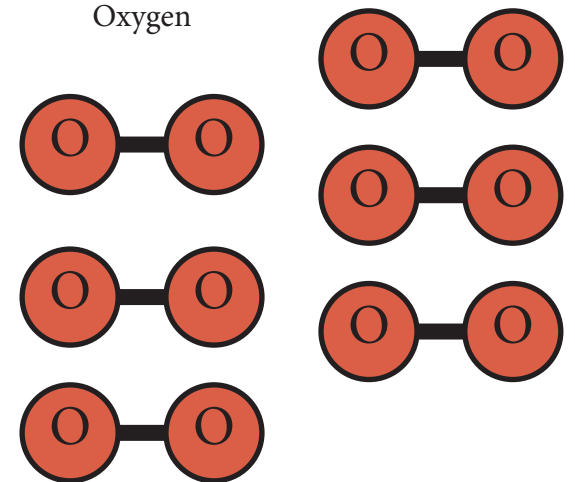
Water



Glucose

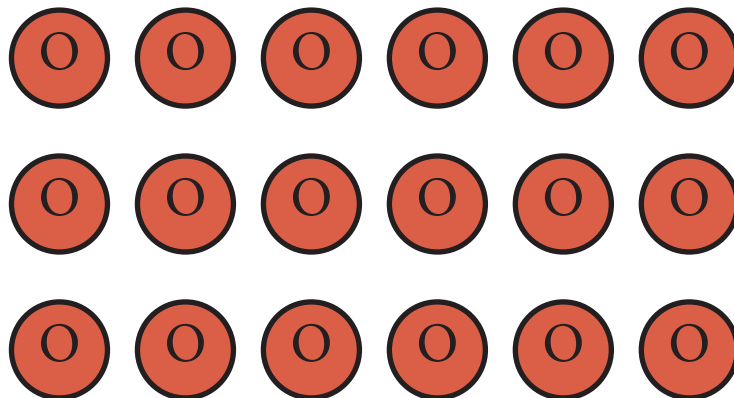
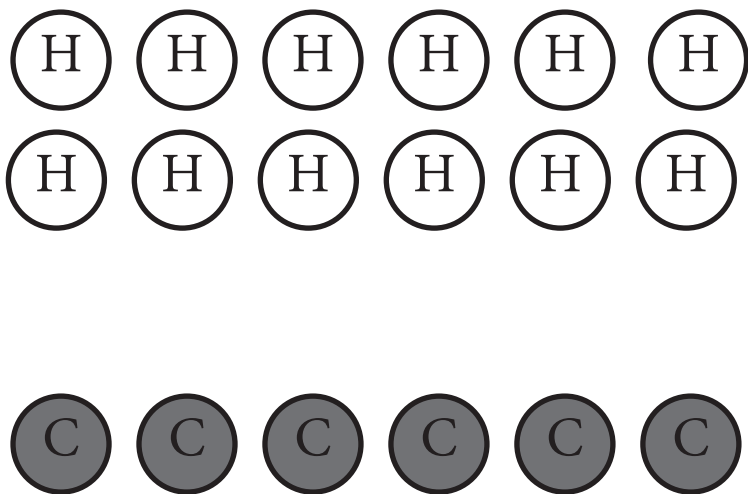


Oxygen



Carefully cut out each circle. Use these “atoms” to follow the photosynthesis equation. Each atom will begin as either a carbon dioxide or water molecule. Place each of the atoms over a corresponding atom at the beginning of the equation.

Then, those atoms will become glucose or oxygen after photosynthesis takes place. Clap your hands, wiggle your fingers, or do a little dance to signify that photosynthesis has taken place. After that, move each atom to a new location in either glucose or oxygen. There should be no atoms left over!



Extras:

